

EOT NON-AMPLIFIED PHOTODETECTOR USER'S GUIDE

Thank you for purchasing your Non-amplified Photodetector from EOT. This user's guide will help answer any questions you may have regarding the safe use and optimal operation of your Non-amplified Photodetector.

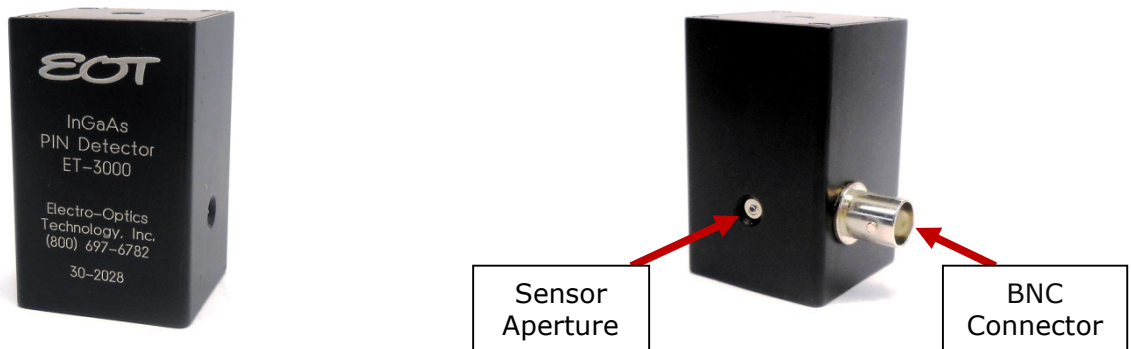
TABLE OF CONTENTS

I. Non-amplified Photodetector Overview.....	1
II. Operation of your EOT Non-amplified Photodetector	1
III. Troubleshooting	2
IV. Drawings: Non-amplified Photodetectors	3
V. Specifications: Non-amplified Photodetectors	4
VI. Schematics: Non-amplified Photodetectors.....	5
VII. Warranty Statement and Repair	5
VIII. Glossary of Terms.....	6

I. Non-amplified Photodetector Overview

EOT's Non-amplified Photodetectors contain PIN photodiodes that utilize the photovoltaic effect to convert optical power into an electrical current. Figure 1 below identifies the main elements of your Non-amplified Photodetector.

Figure 1: EOT Non-amplified Photodetector



When terminated into 50Ω into an oscilloscope, the pulsewidth of a laser can be measured. When terminated into a spectrum analyzer, the frequency response of a laser can be measured.

II. Operation of your EOT Non-amplified Photodetector

A. Caution: Eye safety precautions must be followed when utilizing any equipment used in the vicinity of laser beams. Laser beams may reflect from the surface of the detector or the optical mount and caution must be exercised.

- B. Mount the detector to an optical stand by the mounting holes on the bottom of the detector housing.
- C. Adjust the voltage of the oscilloscope to 100mV/division before connecting the detector. On models with >3V bias supply, the signal may be large enough to damage the oscilloscope if this is not done.
- D. Connect the detector to the oscilloscope using a 50Ω coaxial cable that one meter or less.
- E. Use the 50Ω termination input of the oscilloscope. If the oscilloscope does not have a 50Ω input, connect the coaxial cable to a 50Ω terminator and connect this to the oscilloscope's 1MΩ input.
- F. After being certain that the damage threshold of the detector is not exceeded, place the detector in the center of the laser beam.

III. Troubleshooting

A. No signal is seen the first time the detector is used.

- 1. Be certain that the signal is not high off scale on the oscilloscope.
- 2. Is the wavelength of the laser within the spectral range of the detector?
- 3. Has a 50Ω termination input been used?
- 4. Try moving the detector within the laser beam.
- 5. Is there enough light (see sensitivity spec on the data sheet) incident on the detector to generate a signal?

B. A signal has been previously obtained, but not currently.

- 1. Try steps listed under A.
- 2. Inspect the active area of the photodiode for any signs of damage.
- 3. Try a higher input termination on the oscilloscope, but remember to return to 50Ω if this does not work.
- 4. Test the power supply:
 - a. Units with internal batteries will typically operate for several years, but operation with CW or high rep rate lasers can drain the batteries much faster. **If a load is present at the output, current will be drawn from the batteries, so disconnect the BNC when not in use.** Remove top cover to replace the 3V lithium cells with Duracell Model DL2430, positive side down.
 - b. Units with an external power supply should at least receive the voltage that is printed on the plug.

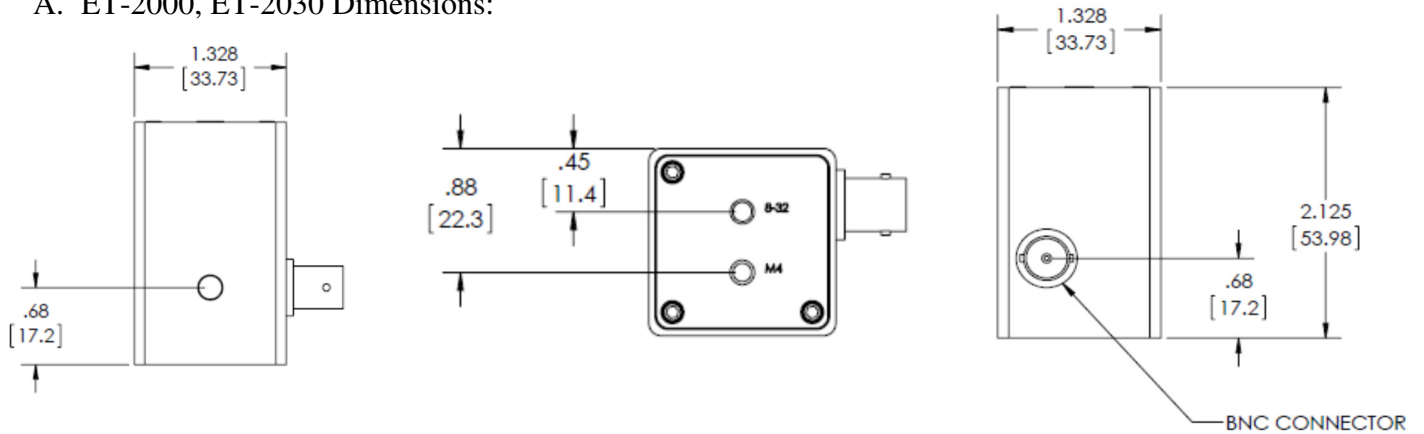
- You can terminate the detector in $1M\Omega$ input of an oscilloscope to obtain a higher output voltage signal but this will decrease the detector's bandwidth by a factor of 5×10^{-5} .

C. Increasing the power incident on the detector does not result in a higher voltage signal on the oscilloscope:

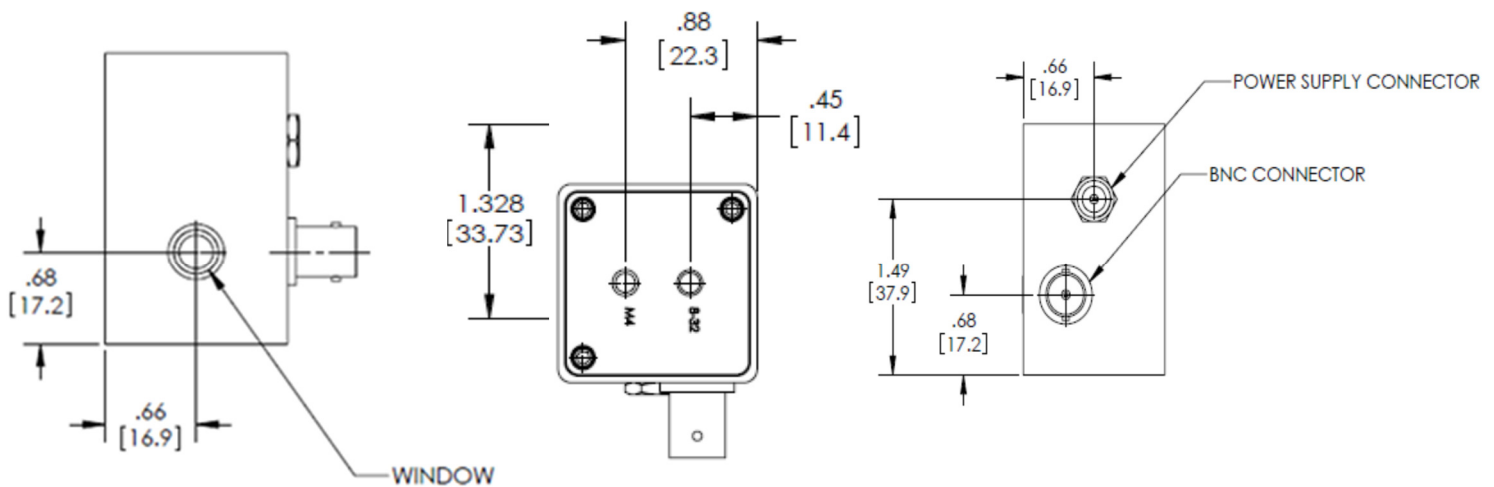
- The detector is probably saturated. You should lower the power incident on the detector to a level below the saturation point.

IV. Drawings: Non-amplified Photodetectors

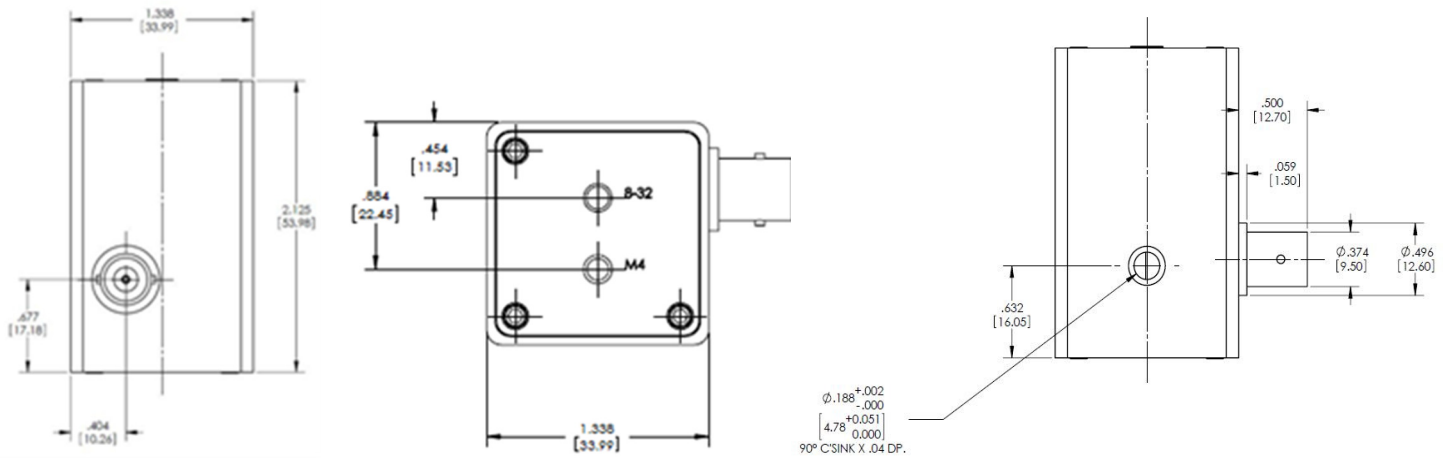
A. ET-2000, ET-2030 Dimensions:



B. ET-2020, ET-2040 Dimensions:



C. ET-3000, 3010, 3020, 3040 Dimensions:



V. Specifications: Non-amplified Photodetectors

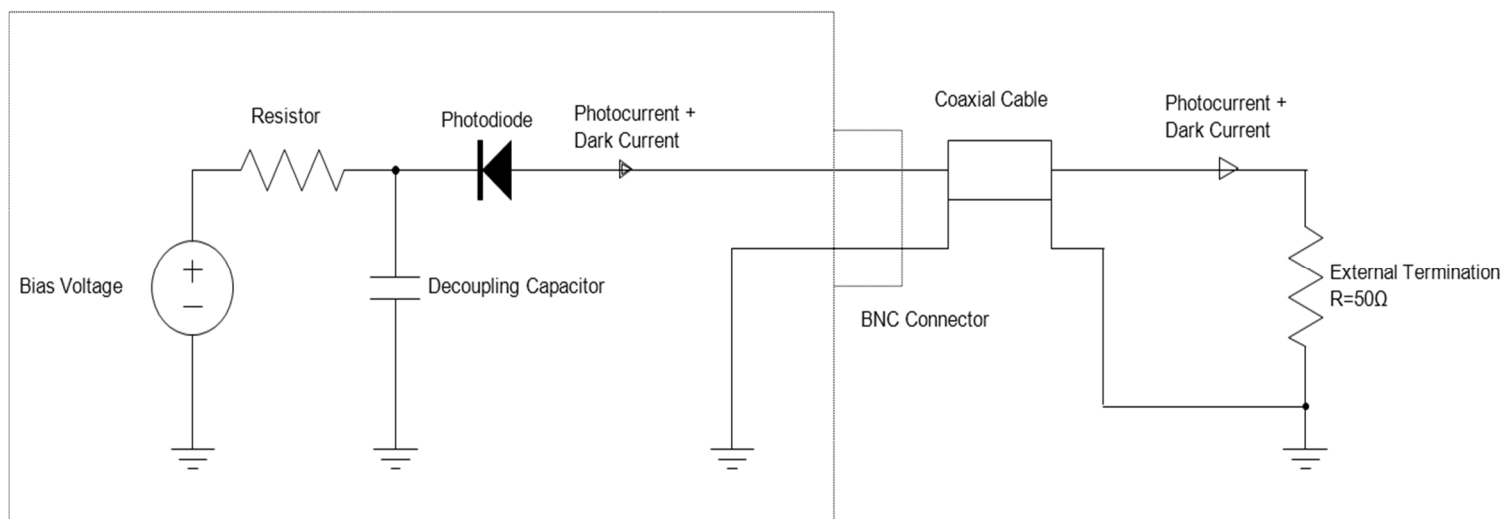
A. Silicon Photodetectors:

Part No. (Model)	120-10000-0001 (ET-2000)	120-10006-0001 (ET-2020)	120-10011-0001 (ET-2030)	120-10028-0001 (ET-2040)
Rise Time/Fall Time	<350ps/<350ps	<1.5ns/<1.5ns	<300ps/<300ps	<30ns/<30ns
Responsivity at 830nm	0.12mA/W	0.6A/W	0.47A/W	0.6A/W
Power Supply (VDC)	3	24	9	24
Bandwidth	>1.0GHz	>200MHz	>1.2GHz	>25MHz
Active Area Diameter	110µm x 55µm	2.55mm	0.4mm	4.57mm
Dark Current (nA)	<0.11	<10	<0.1	<10
Acceptance Angle (1/2 angle)	20°	50°	30°	60°
Noise Equivalent Power (pW/√Hz)	<0.15	<0.09	<0.01	<0.09
Maximum Linear Rating	CW current: 20mA Energy per 10ns pulse: 20uJ	CW current: 2.5mA Pulse current: 15mA	CW current: 3mA Pulse current: 3mA	CW current: 2mA Optical input: 3mW
Mounting (Tapped Holes)	8-32 or M4	8-32 or M4	8-32 or M4	8-32 or M4
Output Connector	BNC	BNC	BNC	BNC

B. InGaAs Photodetectors:

Part No. (Model)	120-10034-0001 (ET-3000)	120-10050-0001 (ET-3010)	120-10054-0001 (ET-3020)	120-10056-0001 (ET-3040)
Rise Time/Fall Time	<175ps/<175ps	<175ps/<175ps	<6ns/<250ns	<1.25ns/<3.70ns
Responsivity at 1300nm (A/W)	0.9	0.85	0.9	0.9
Power Supply (VDC)	6	6	Non-biased	3
Bandwidth	>2GHz	>2GHz	>2.5MHz	>50MHz
Active Area Diameter	100µm	100µm	3.0mm	1.0mm
Dark Current (nA)	<2.0	<1.0	NA	<10
Acceptance Angle (1/2 angle)	20°	N/A	50°	50°
Noise Equivalent Power (pW/√Hz)	<0.03	<0.02	5	<0.06
Maximum Linear Rating	CW current: 5mA	CW current: 5mA	CW current: 5mA	CW current: 5mA
Mounting (Tapped Holes)	8-32 or M4	8-32 or M4	8-32 or M4	8-32 or M4
Output Connector	BNC	BNC	BNC	BNC

VI. Schematics: Non-amplified Photodetectors



VII. Warranty Statement and Repair

EOT warrants its products to be free from defects in material and workmanship and complies with all specifications. EOT will at its option, repair or replace any product or component found to be defective during the warranty period. This warranty applies only to the original purchaser and is not transferrable for a period of one year after date of original shipment. The foregoing warranties shall not apply, and EOT reserves the right to refuse warranty service, should malfunction or failure result from:

- a. Damage caused by improper installation, handling or use.
- b. Unauthorized product modification or repair.
- c. Operation outside the environmental or damage specifications of the product.
- d. Contamination not reported to EOT within 30 days of the original ship date.

This warranty is exclusive in lieu of all other warranties whether written, oral, or implied. EOT specifically disclaims the implied warranties of merchantability and fitness for a particular purpose. In no event shall EOT be liable for an indirect, incidental, or consequential damages in connection with its products.

If the customer believes there is a problem with the photodetector, they should immediately contact EOT's Sales/Customer department at 231-935-4044 or customerservice@eotech.com. EOT's Customer Service department will either issue an RMA for the device, or provide the customer with a procedure and authorize the customer to modify the device. All returns should reference the RMA number on the outside of the shipping container and should be sent to:

Electro-Optics Technology, Inc.
Attn: Sales/Customer Service
5835 Shugart Lane
Traverse City, MI 49684 USA

EOT reserves the right to inspect photodetectors returned under warranty to assess if the problem was caused by a manufacturer defect. If EOT determines the problem is not due to a manufacturer defect,



repairs will be done at the customer's expense. EOT will always provide a written quote for repair prior to performing repairs at the customer's expense.

VIII. Glossary of Terms

Bandwidth: The range of frequencies from 0Hz (DC) to the frequency at which the amplitude decreases by 3dB. Bandwidth and rise time can be approximately related by the equation:
Bandwidth \approx 0.35/rise time for a Gaussian pulse input.

Bias Voltage: The photodiode's junction capacitance can be modified by applying a reverse voltage. The bias voltage reduces the junction capacitance, which causes the photodiode to have a faster response.

BNC Connector: Used to connect the customer's coaxial cable.

Dark Current: When a termination is present, a dark current (nA range) will flow if the photodiode is biased. Disconnecting the coaxial cable will prevent this current from flowing.

Decoupling Capacitor: Maintains bias voltage when fast pulses cause the battery voltage to reduce (this would slow the response time of the photodiode); the capacitor allows the battery to recover to its initial voltage. It also acts as a filter for external power supplies.

Noise Equivalent Power (NEP): A function of responsivity and dark current and is the minimum optical power needed for an output signal to noise ratio of 1. Dark current is the current that flows through a reverse biased photodiode even when light is not present, and is typically on the order of nA. Shot noise (I_{shot}) is a source of noise generated in part by dark current; in the case of reversed biased diodes it is the dominant contributor. NEP is calculated from shot noise and responsivity. For example, for an ET-2040: dark current $<20\text{nA}$, responsivity @ 830nm = 0.5 A/W:

$$Shot _ Noise = \sqrt{2qI_d} = \sqrt{2(1.6 \times 10^{-19} \text{ As})(20 \times 10^{-9} \text{ A})} = 0.08 \text{ pA} \sqrt{s} = 0.08 \text{ pA} / \sqrt{\text{Hz}}$$

$$NEP = I_{shot} / R_{830nm} = \frac{0.08 \text{ pA}}{\sqrt{\text{Hz}}} * \frac{\text{W}}{0.5 \text{ A}} = 0.16 \text{ pW} / \sqrt{\text{Hz}}$$

q = charge on an electron

Photodiode: Converts photons into a photocurrent.

Resistor: Protects the photodiode from excessive current. This could occur if an external power supply was too high in voltage, or if its polarity were reversed; this happens when a customer uses their own power supply.

Responsivity: In amps per watt (A/W), responsivity is the current output of the photodiode for a given input power, and is determined by the diode structure. Responsivity varies with wavelength and diode material.

Rise Time/Fall Time: Rise Time is the time taken by a signal to change from a specified low value to a specified high value. Fall Time is the time taken for the amplitude of a pulse to decrease from a specified value to another specified value. A larger junction capacitance will slow the detector's response time.